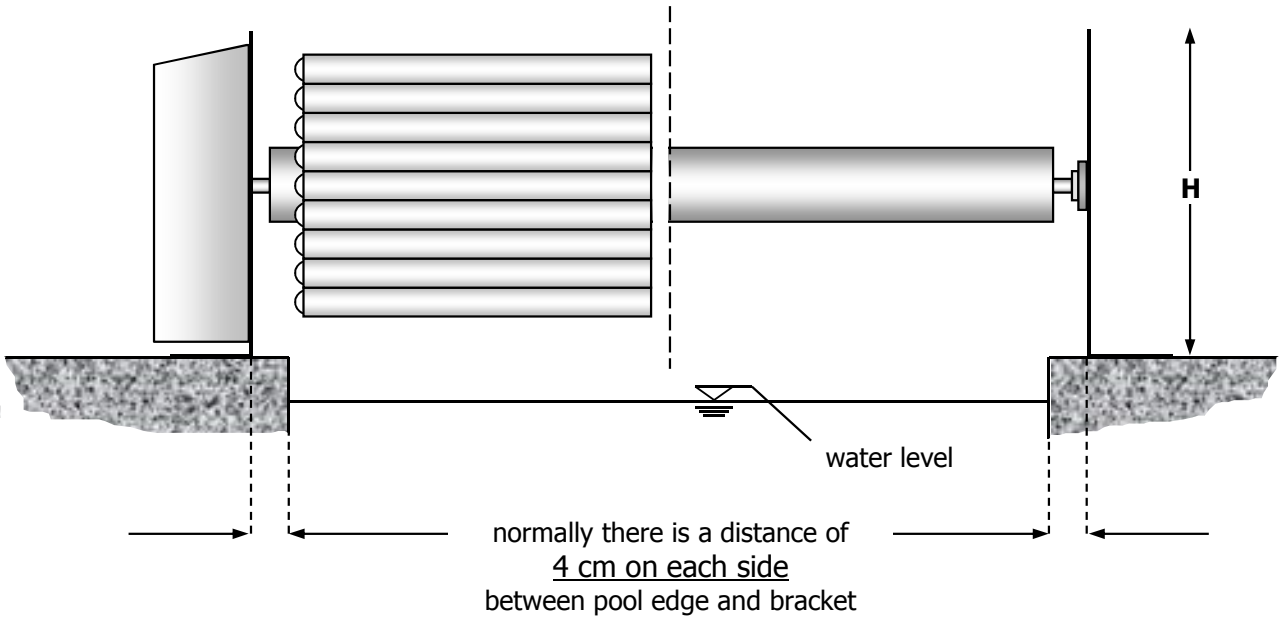
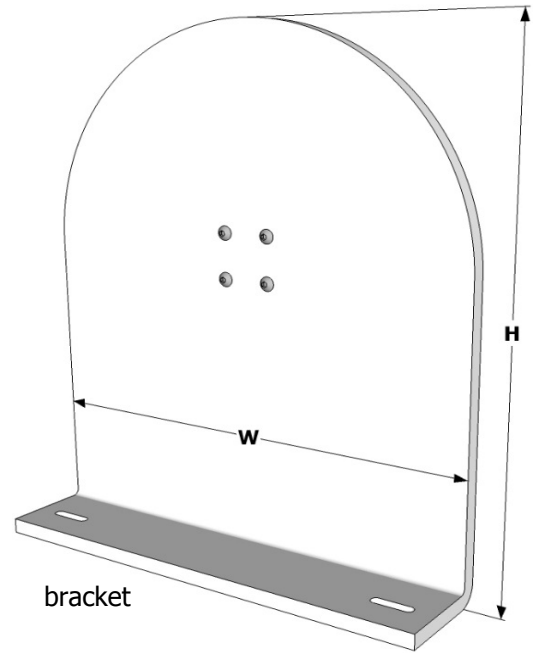


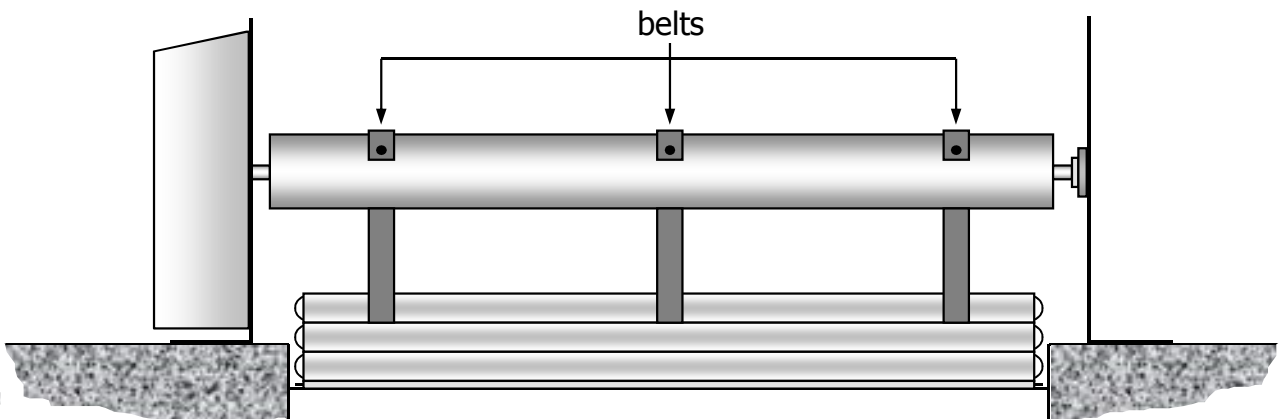
**Pool Covers**



pool length	with profile <b>Junior</b> mm		with profile <b>Senior</b> mm		with profile <b>Valor</b> mm	
	H	W	H	W	H	W
up to 6 m	520	410	520	410	520	410
up to 8 m	520	440	520	440	540	480
up to 9 m	520	440	540	480	540	480
up to 10 m	540	480	580	520	580	520
up to 12 m	580	520	620	560	620	560



the shutter is fastened with belts on the winding shaft



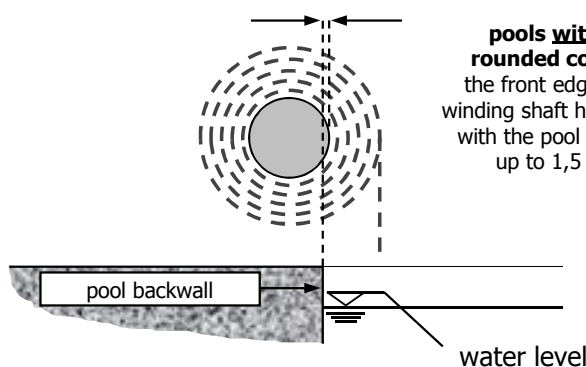
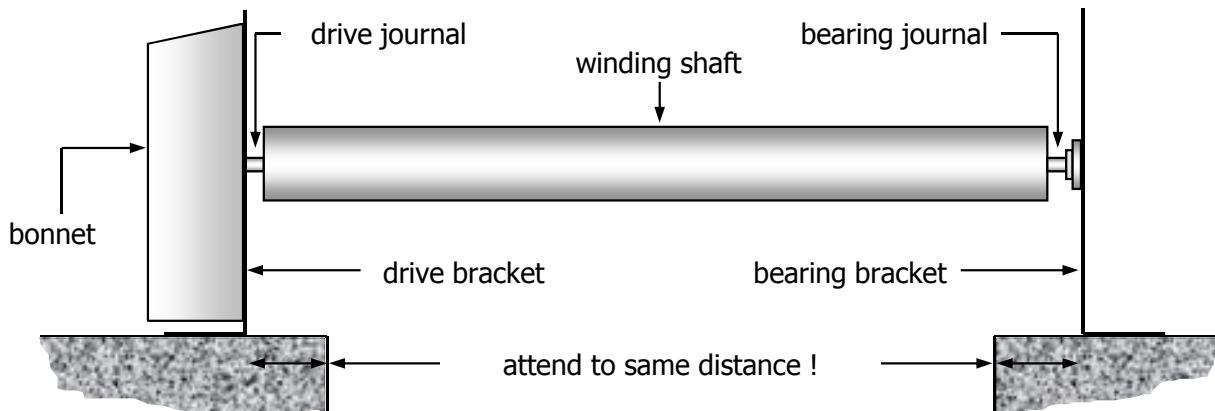
1. Remove the bonnet from the bracket.
2. Screw off the flange bearing from the bearing bracket.
3. Remove the first retaining ring from the bearing journal, put on the flange bearing and fix the retaining ring again.
4. Screw the flange bearing together with the winding shaft on the bearing bracket again.
5. Remove the first retaining ring from the drive journal and put in the drive journal through the drive bracket into the sleeve shaft of the gear box. Then fix the retaining ring again.
6. Align both brackets and the winding shaft on the pool backwall with the same distances on each side.



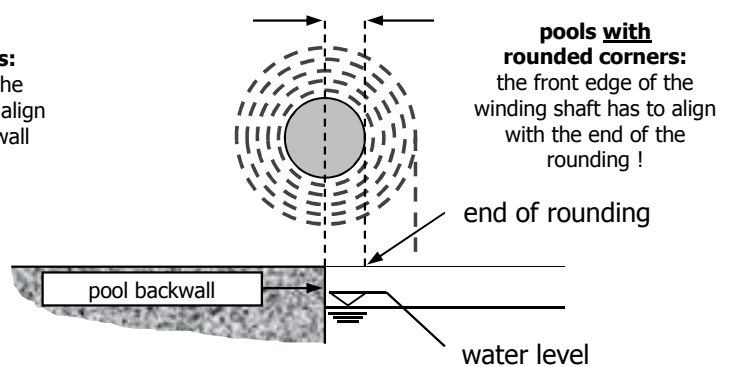
Pay attention that the fore-edge of the winding shaft aligns with the pool backwall (see drawing below).

If the pool has rounded corners the fore-edge of the winding shaft has to align with the end of the rounding (see drawing below).

7. Fix both brackets by screws, washers and wall plugs.
8. Put through the electrical connection (observe VDE regulations) and fix the bonnet again.
9. Mount the shutter (see mounting instructions for the shutter).
10. For programming the electronic drive control see separate operating instructions.



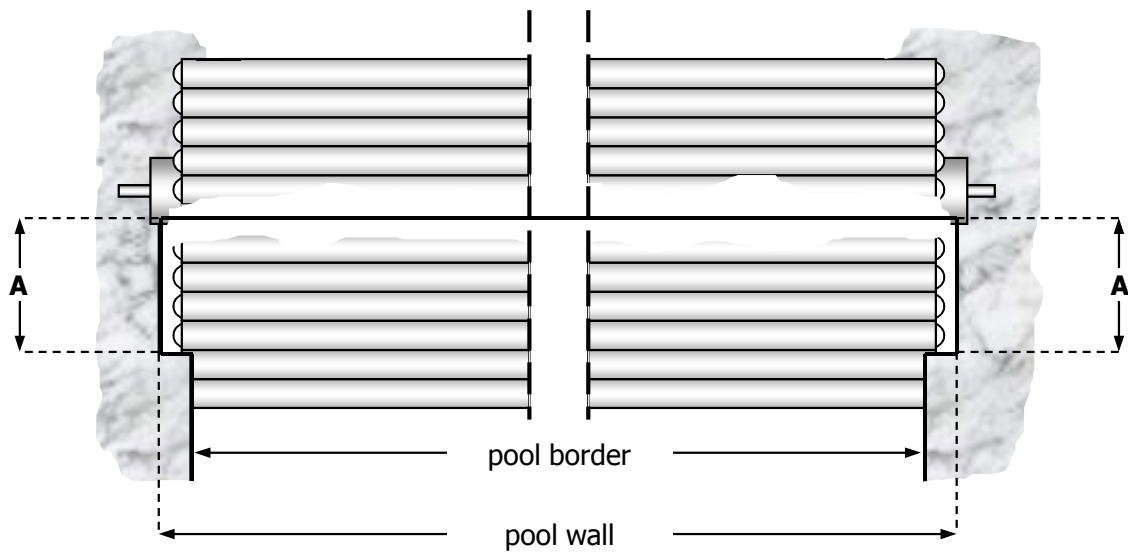
**pools without rounded corners:**  
the front edge of the winding shaft has to align with the pool backwall up to 1,5 cm !



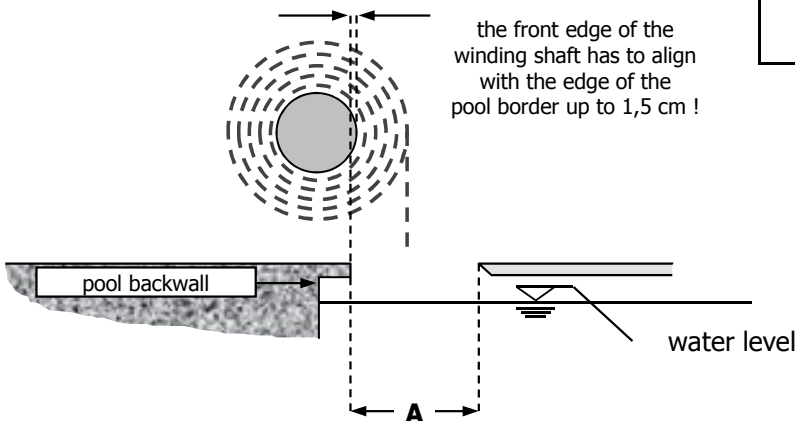
**pools with rounded corners:**  
the front edge of the winding shaft has to align with the end of the rounding !

If the pool border is projecting, it is advisable to cut out the lateral border aligned with the pool wall to cover as much as possible of the water surface !

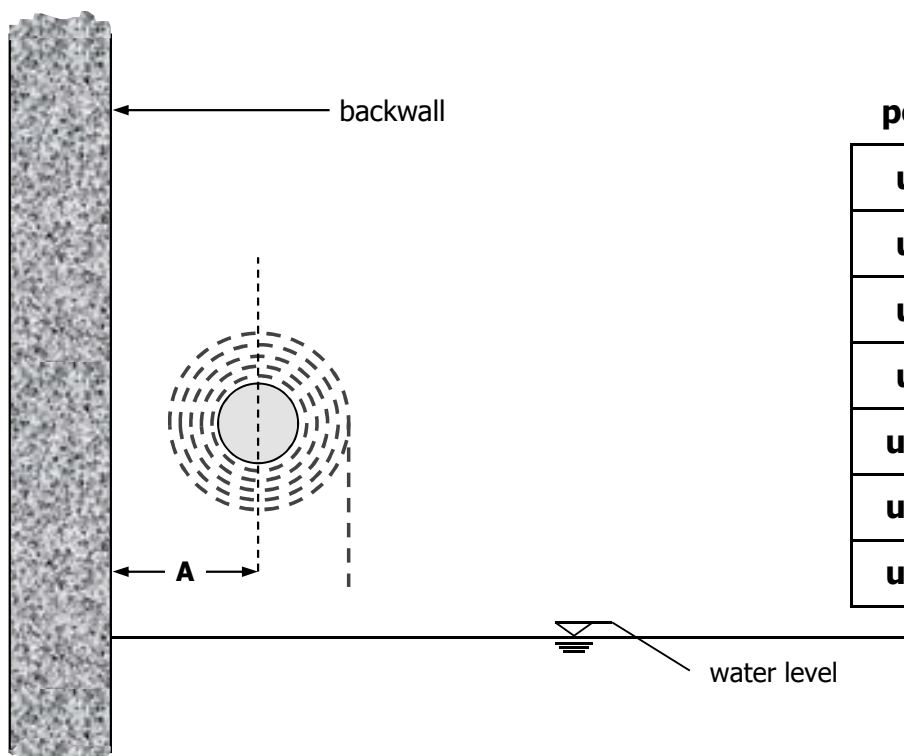
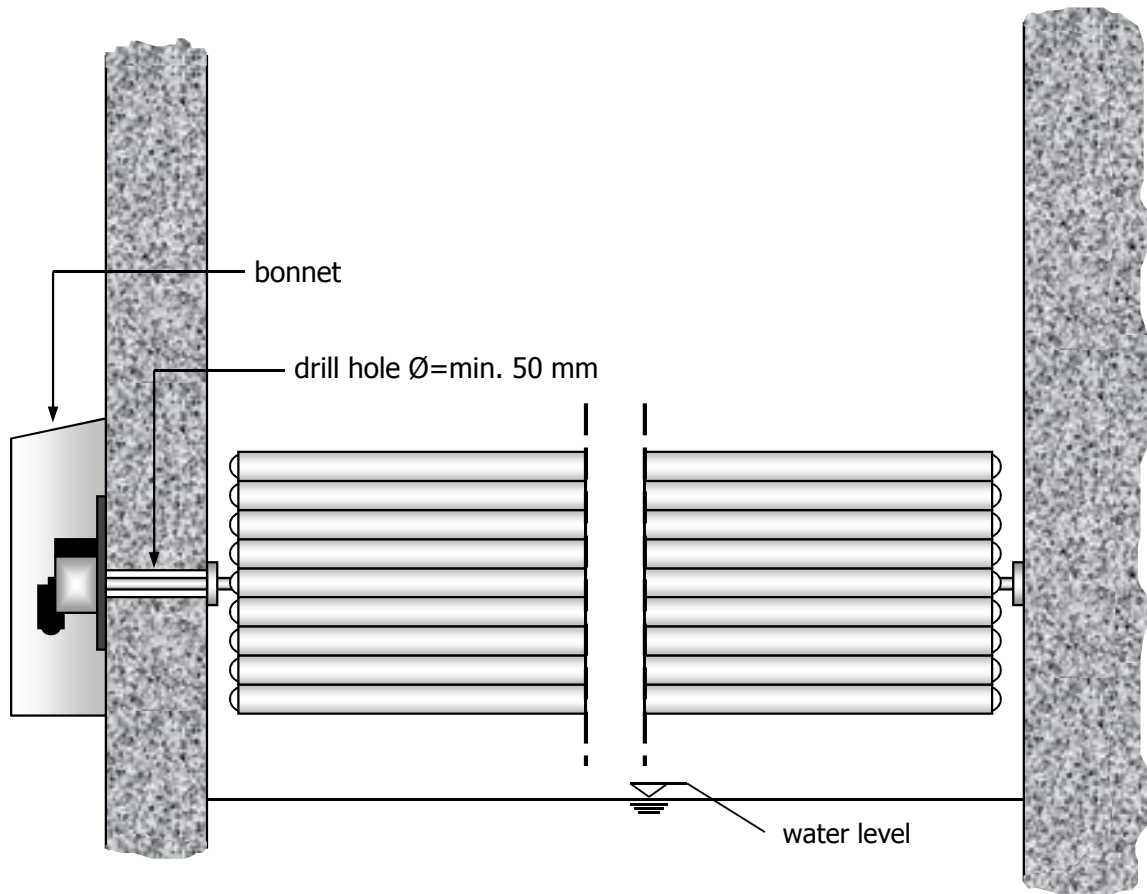
**plan view**



**side view**

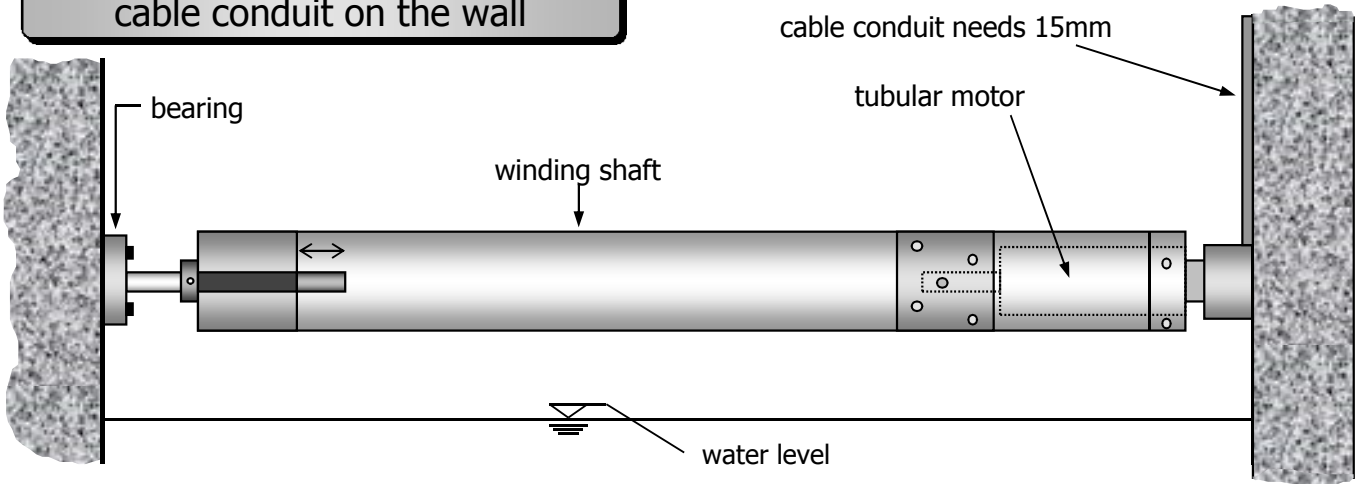


pool length	<b>A</b> (border to cut out)
up to 8 m	25 cm
up to 10 m	27 cm
up to 12 m	30 cm
up to 15 m	35 cm

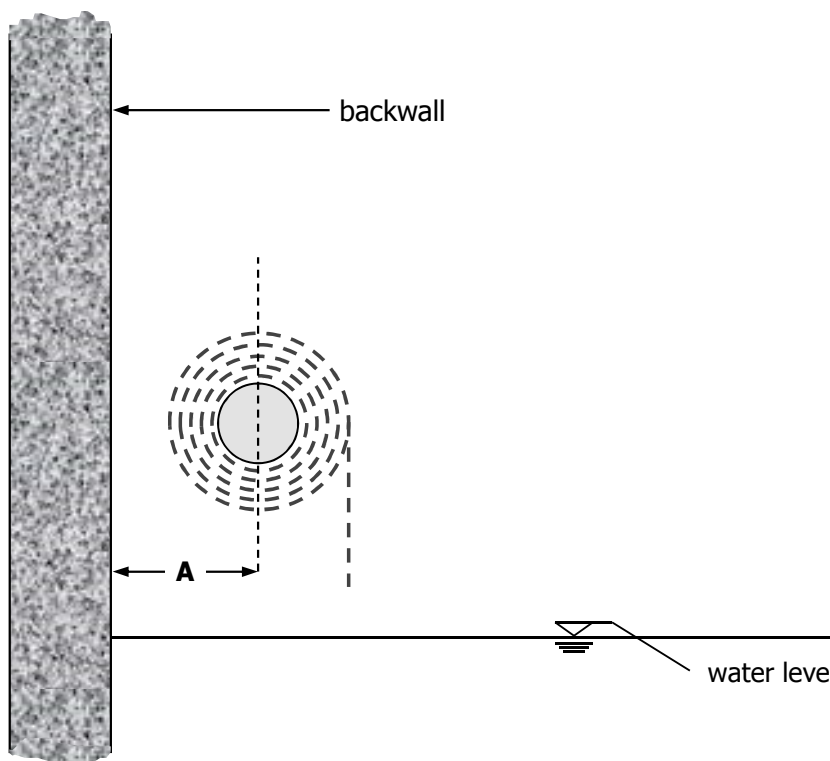
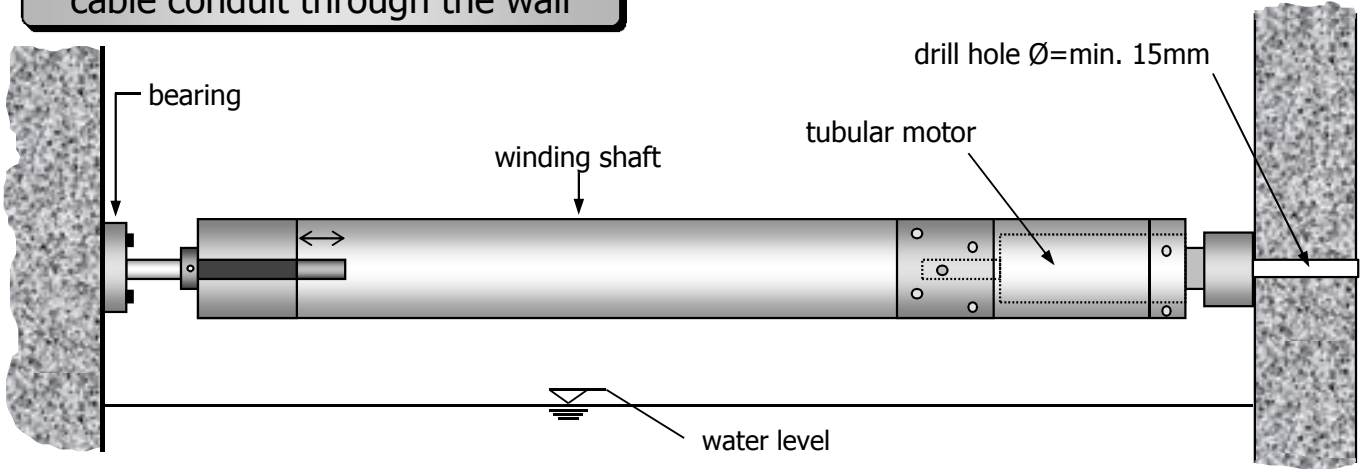


pool length	A
up to 6 m	28 cm
up to 7 m	30 cm
up to 8 m	30 cm
up to 9 m	32 cm
up to 10 m	34 cm
up to 11 m	35 cm
up to 12 m	36 cm

**cable conduit on the wall**



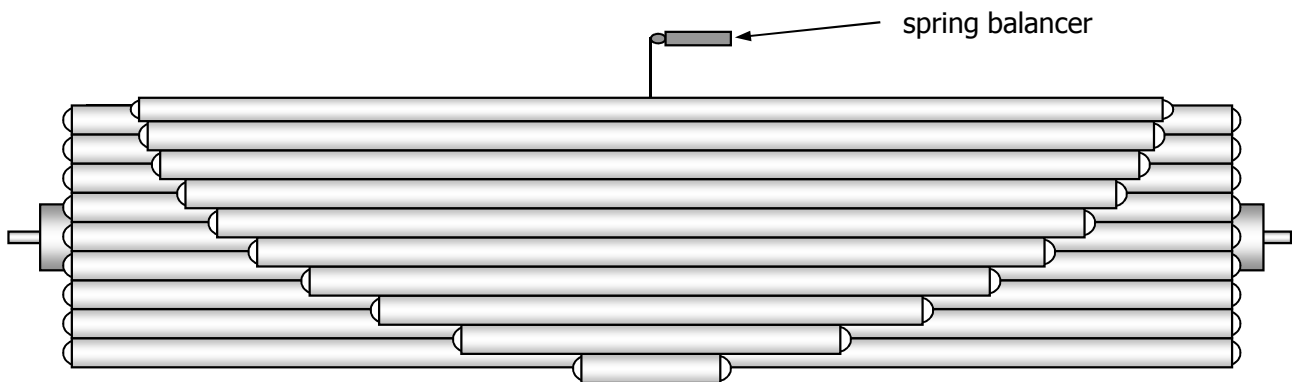
**cable conduit through the wall**



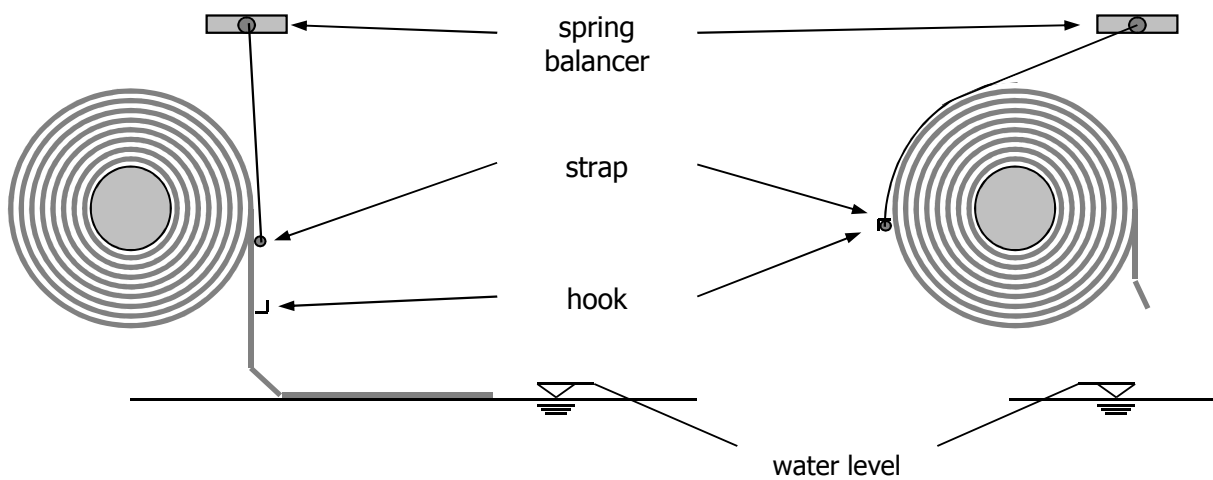
pool length	A
up to 6 m	28 cm
up to 7 m	30 cm
up to 8 m	30 cm
up to 9 m	32 cm
up to 10 m	34 cm
up to 11 m	35 cm
up to 12 m	36 cm

By installing a special catch device it is possible to prevent the looping of projecting parts of the shutter (e.g. Roman End) on the wound up bolt.

front view



side view



• Handling

The pool cover works fully automatic and is basically activated by the operating switch.

In case of malfunction of the operating switch the pool cover can be activated by the tip switches "AUF" and "ZU" inside the control enclosure.

The operating switch works as a tip switch, that means after pushing it in one direction it returns into the central position and the pool cover runs into the stored end position.

You can stop the pool cover by pushing the switch in any direction.



**Attention !**

Before activating the pool cover you have to make sure that there is no person or object in the pool and that the water has calmed !

The opening and closing process has to be observed the whole time by an instructed Person !

If the cover is retarded or stopped by an obstacle, you have to switch it off immediately and take away the obstacle. After that you have to check if the shutter is still rolled up tightly.

The tight fit of the shutters is very significant for the perfect reliability, especially for the correct shut down.

• Malfunction

If the cover does not work after pushing the switch, you have to check the electric supply at first (mains voltage, micro-fuse at the transformer, circuit-breaker at the transformer enclosure).

If the power supply is given, but the cover still does not work, there is a malfunction message on the control board (see "Operating Instructions for Electronic Drive Control").

In this case please call our technical support:

**+49 / 2204 / 66277**

• Maintenance

Under normal operating conditions the drive of the pool cover is maintenance-free.

As with all equipment that's in constant use or exposed to changing ambient conditions, there are several points you should bear in mind with our slatted covers :

With outdoor pools, it is generally impossible to prevent leaves or other vegetation debris falling onto the pool cover when it is closed. Please ensure that these objects are not left on the cover for any prolonged period as the organic rotting process will result in permanent profile staining. Depending on the quality of water (water hardness in particular) in your swimming pool, deposits of limescale will build up on your pool cover. Please make sure you remove these deposits on a regular basis as they are difficult to get off by mechanical means once they are allowed to accumulate. As long as you take early action, deposits can be removed with relative ease using descaler products (e.g. pH Minus).

Although leaf staining and limescale deposits (up to a certain degree) will not impair the way your swimming pool cover works, they should be avoided for the sake of appearance.

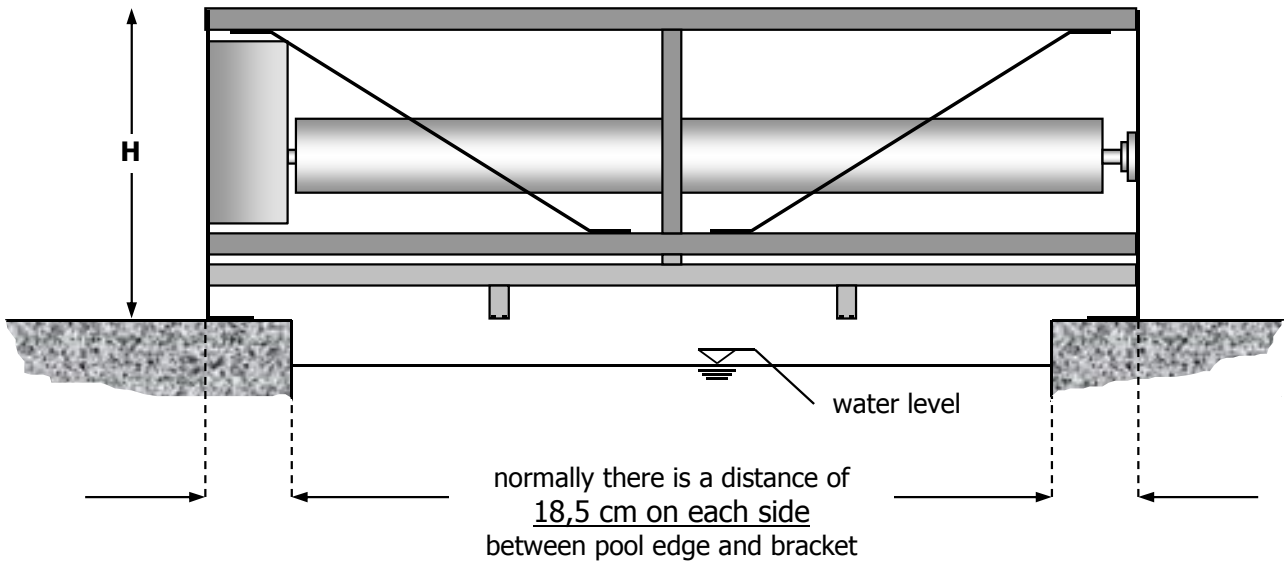
**Please see separate information sheet for transparent shutters !**

• Overwintering of outdoor pools

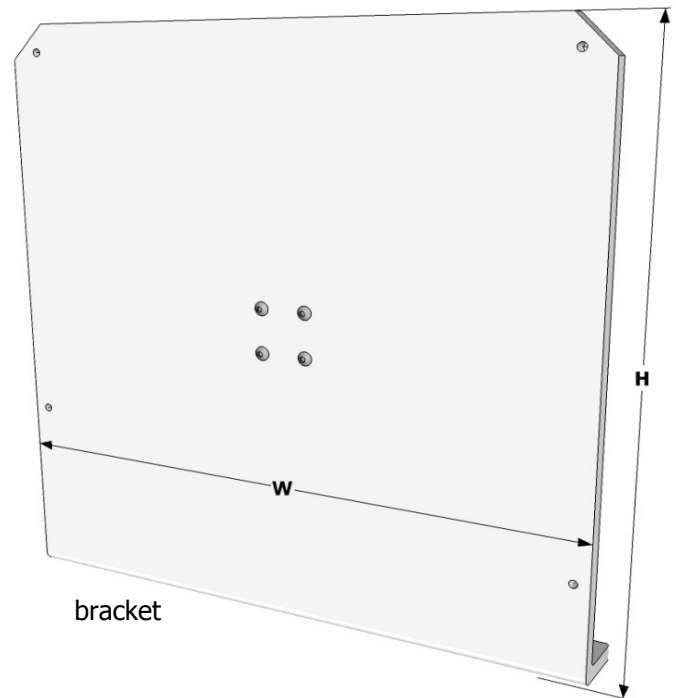
If you put your outdoor pool out of operation in winter, you should roll up the shutter and cover it with a tarpaulin to protect it against wind and dirt.

To avoid unintended actuation of the shutter during this time you can disconnect the power supply by removing the micro-fuse at the transformer.

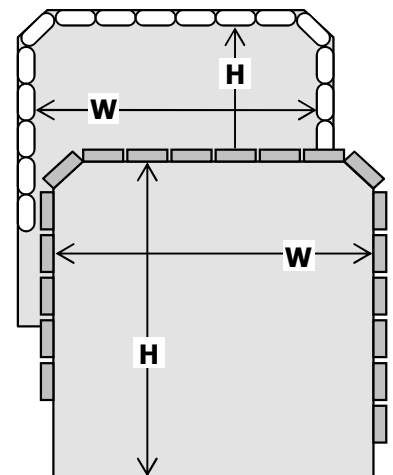
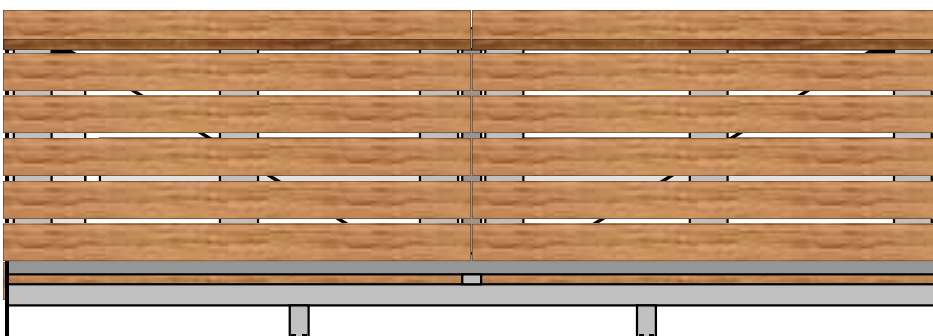
**Pool Covers**



pool length	with profile	
	H	W
up to 6 m	53,0 cm	53,0 cm
up to 9 m	59,5 cm	59,5 cm
up to 10 m	62,0 cm	62,0 cm
up to 11 m	66,0 cm	66,0 cm
up to 12 m	68,0 cm	68,0 cm
	with profile	
	<b>Valor</b>	
	please ask dimensions !	



with bench covering made of wood  
 or alternative  
made of a thick-walled PVC-profile (white)





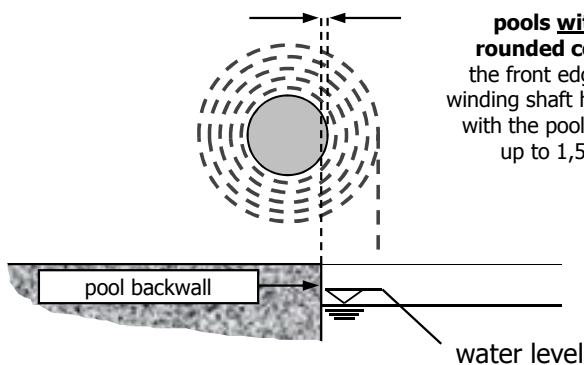
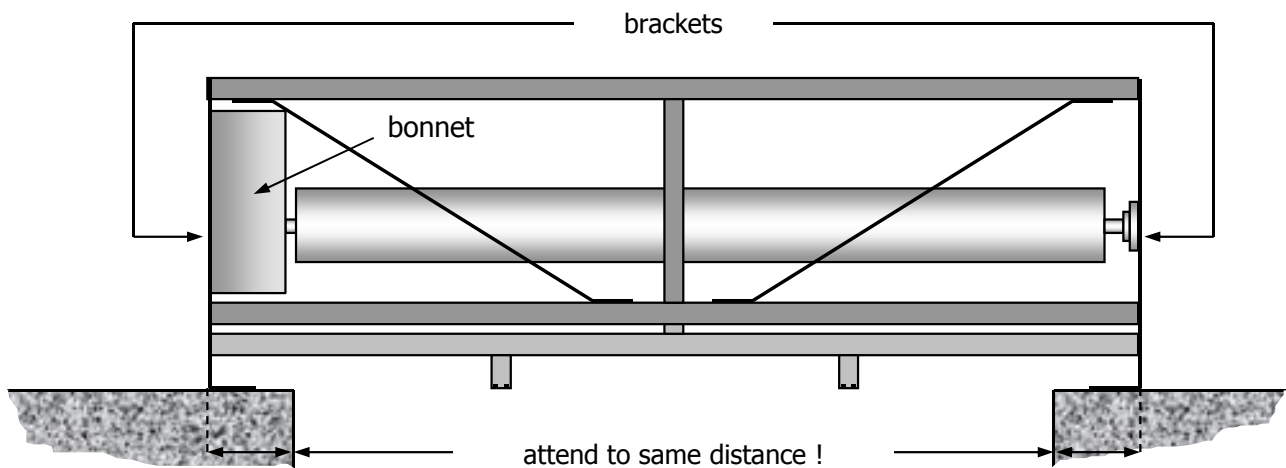
1. Align the frame construction on the pool backwall with the same distances on each side.



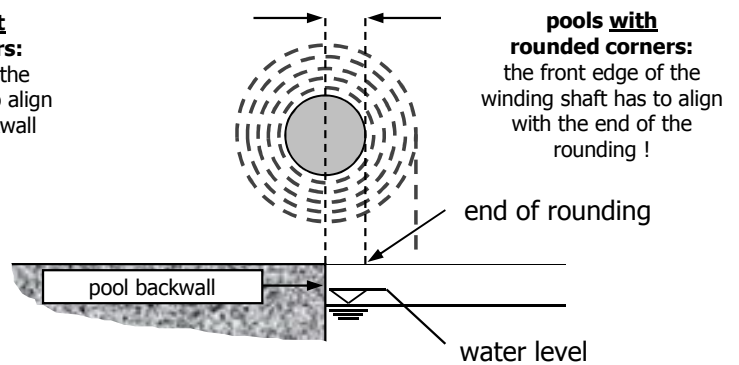
Pay attention that the front edge of the winding shaft aligns with the pool backwall (see drawing below).

If the pool has rounded corners, the front edge of the winding shaft has to align with the end of the rounding (see drawing below).

2. Fix the frame construction by screws, washers and wall plugs.
3. Remove the bonnet and put through the electrical connection (observe VDE regulations).
4. Fix the bonnet again.
5. Mount the shutter (see mounting instructions for the shutter).
6. For programming the electronic drive control see separate operating instructions.



**pools without rounded corners:**  
 the front edge of the winding shaft has to align with the pool backwall up to 1,5 cm !

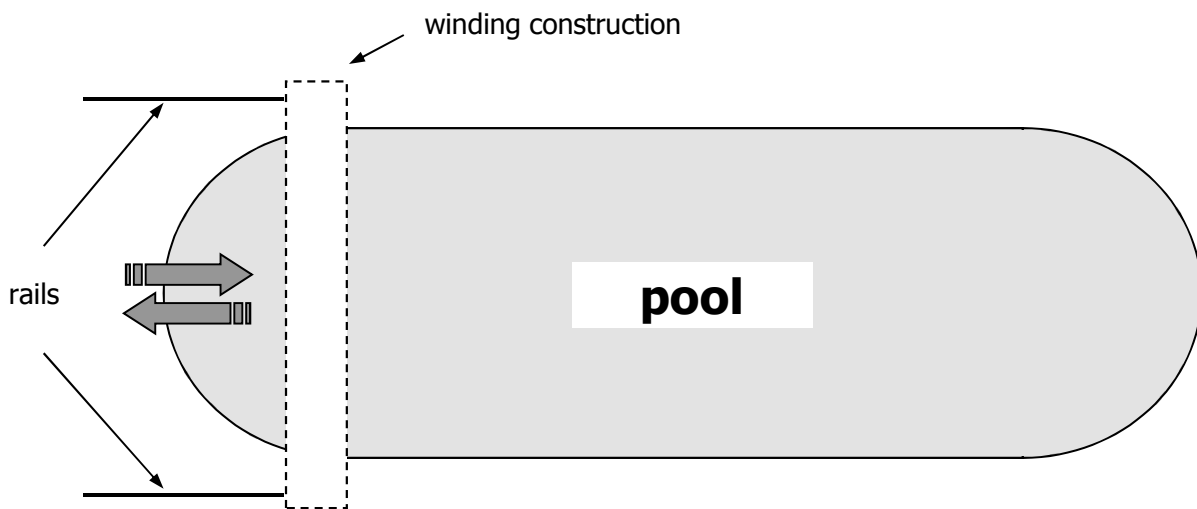


**pools with rounded corners:**  
 the front edge of the winding shaft has to align with the end of the rounding !

For pools without a straight front it is possible to move the whole winding construction to the right position (manual or automotive).

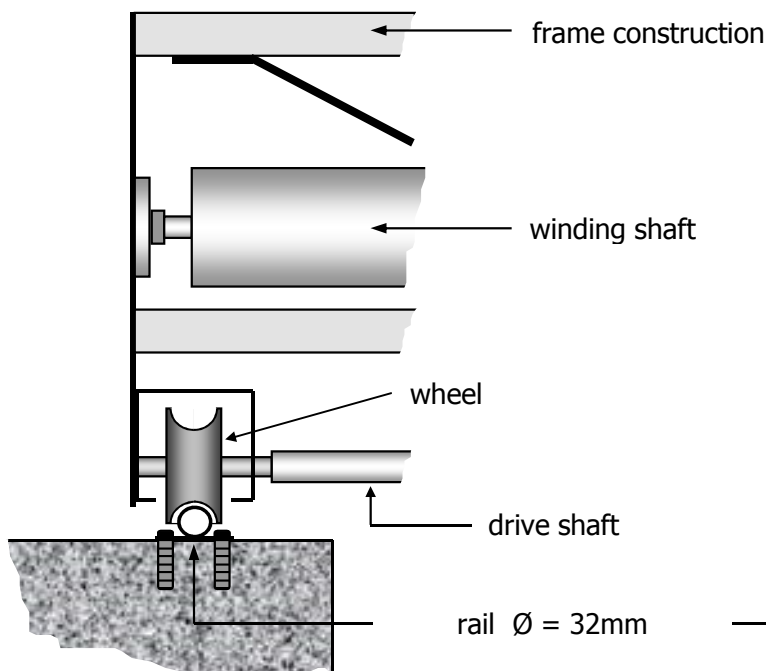
The shutter will run in two directions.

**plan view**

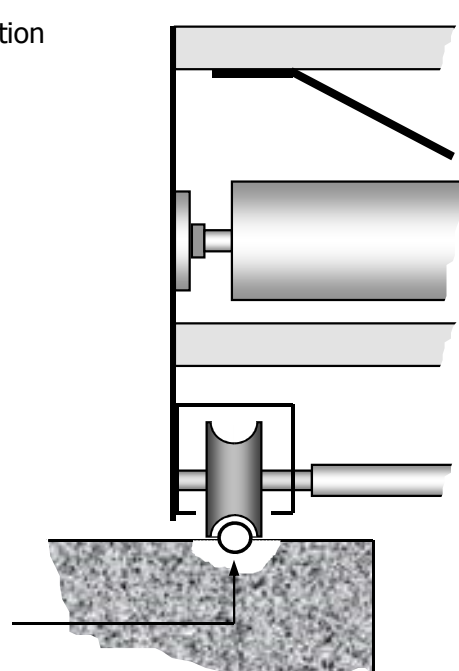


**front view**

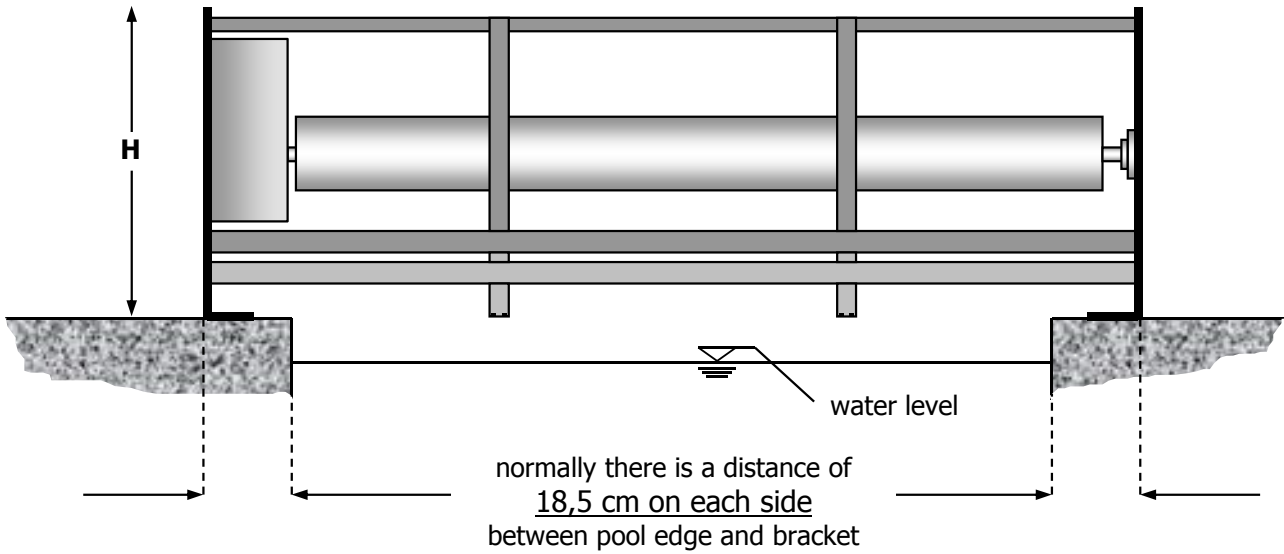
surface-mounted rail



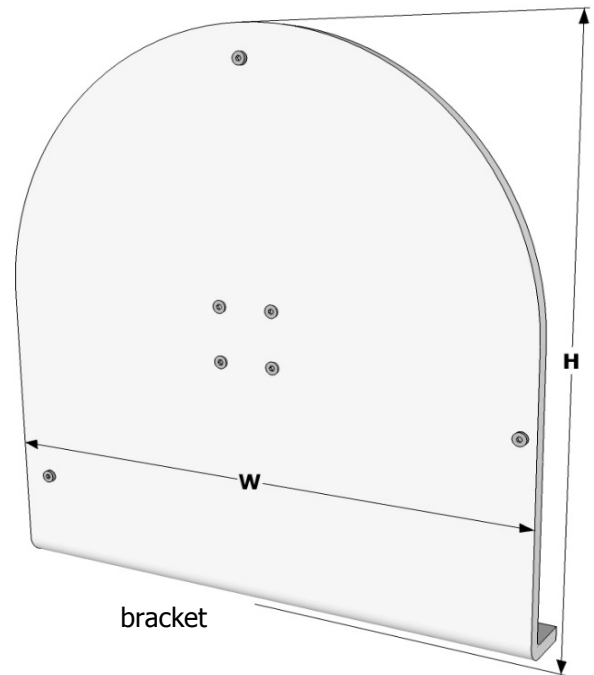
flush-mounted rail



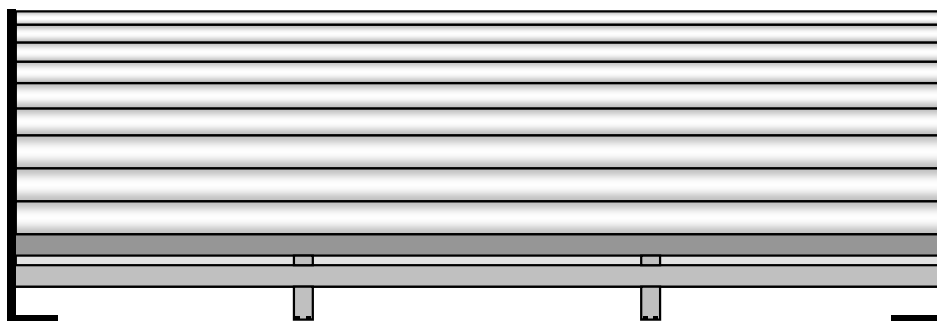
**Pool Covers**



pool length	with profile	
	H	W
up to 8 m	58,0 cm	56,0 cm
up to 10 m	62,0 cm	60,0 cm
up to 12 m	67,0 cm	65,0 cm
	with profile	
	<b>Valior</b>	
	please ask dimensions !	

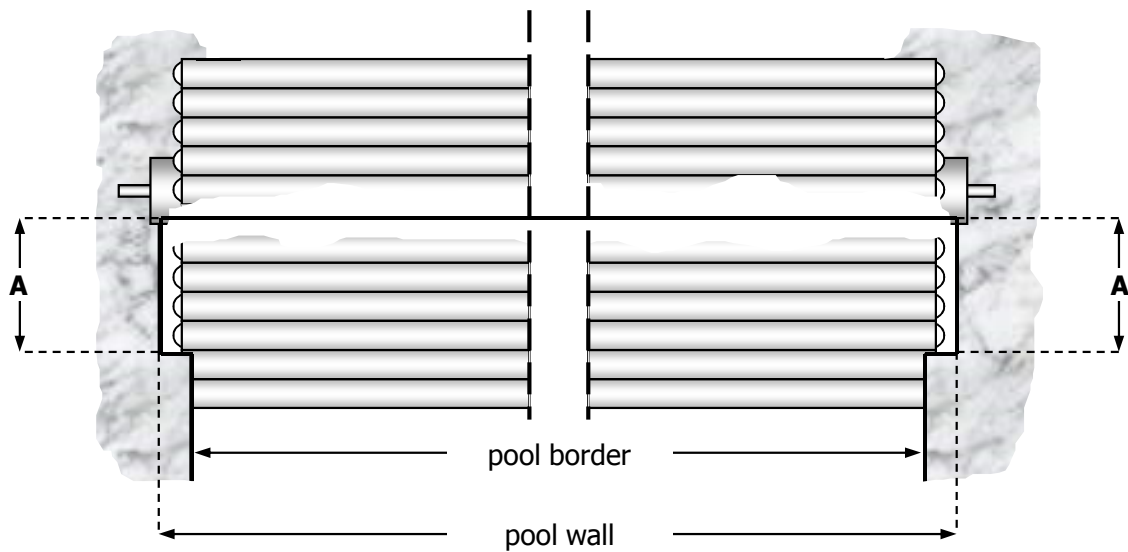


with covering made of PVC-shutters  
 (cannot be used to sit on !)

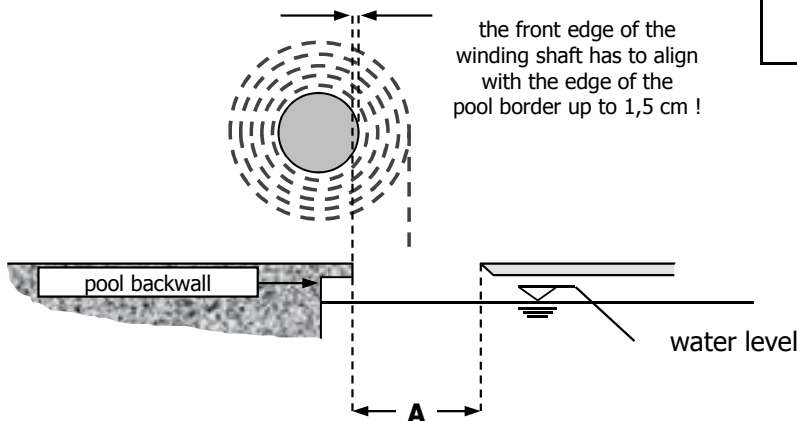


If the pool border is projecting, it is advisable to cut out the lateral border aligned with the pool wall to cover as much as possible of the water surface !

**plan view**



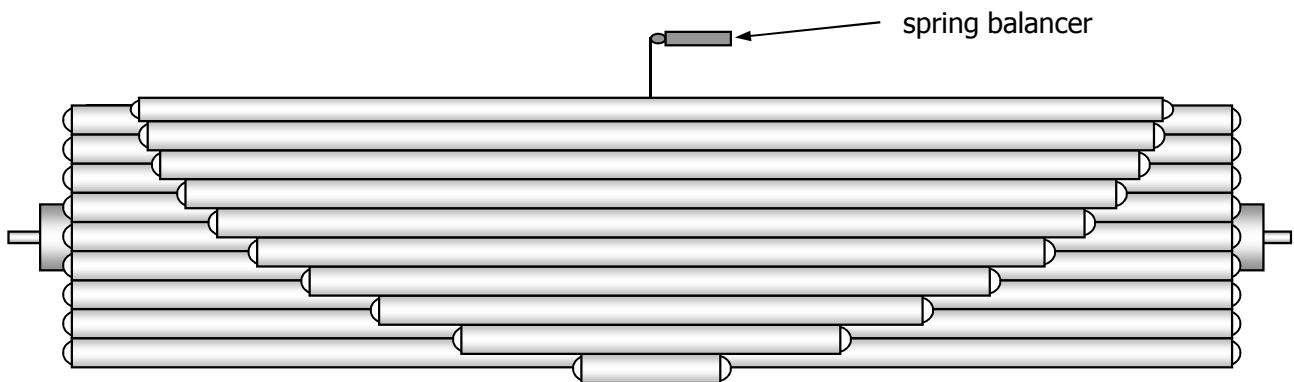
**side view**



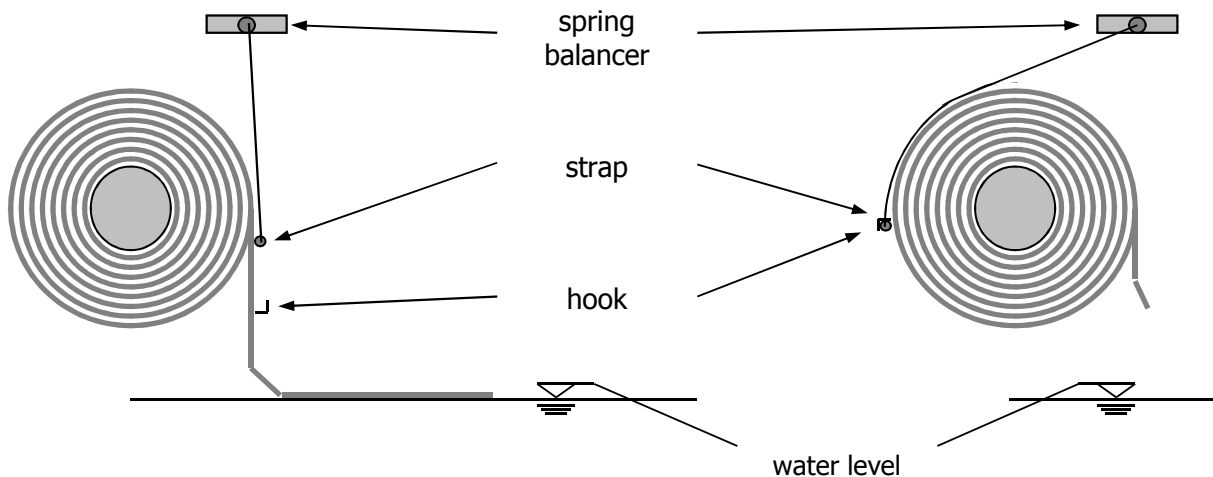
pool length	<b>A</b> (border to cut out)
up to 8 m	25 cm
up to 10 m	27 cm
up to 12 m	30 cm
up to 15 m	35 cm

By installing a special catch device it is possible to prevent the looping of projecting parts of the shutter (e.g. Roman End) on the wound up bolt.

front view



side view



• Handling

The pool cover works fully automatic and is basically activated by the operating switch.  
 In case of malfunction of the operating switch the pool cover can be activated by the tip switches "AUF" and "ZU" inside the control enclosure.  
 The operating switch works as a tip switch, that means after pushing it in one direction it returns into the central position and the pool cover runs into the stored end position.  
 You can stop the pool cover by pushing the switch in any direction.

 **Attention !**

Before activating the pool cover you have to make sure that there is no person or object in the pool and that the water has calmed !

The opening and closing process has to be observed the whole time by an instructed Person !

If the cover is retarded or stopped by an obstacle, you have to switch it off immediately and take away the obstacle. After that you have to check if the shutter is still rolled up tightly.  
 The tight fit of the shutters is very significant for the perfect reliability, especially for the correct shut down.

• Malfunction

If the cover does not work after pushing the switch, you have to check the electric supply at first (mains voltage, micro-fuse at the transformer, circuit-breaker at the transformer enclosure).  
 If the power supply is given, but the cover still does not work, there is a malfunction message on the control board (see "Operating Instructions for Electronic Drive Control").  
 In this case please call our technical support:

**+49 / 2204 / 66277**

• Maintenance

Under normal operating conditions the drive of the pool cover is maintenance-free.

As with all equipment that's in constant use or exposed to changing ambient conditions, there are several points you should bear in mind with our slatted covers :  
 With outdoor pools, it is generally impossible to prevent leaves or other vegetation debris falling onto the pool cover when it is closed. Please ensure that these objects are not left on the cover for any prolonged period as the organic rotting process will result in permanent profile staining. Depending on the quality of water (water hardness in particular) in your swimming pool, deposits of limescale will build up on your pool cover. Please make sure you remove these deposits on a regular basis as they are difficult to get off by mechanical means once they are allowed to accumulate. As long as you take early action, deposits can be removed with relative ease using descaler products (e.g. pH Minus).  
 Although leaf staining and limescale deposits (up to a certain degree) will not impair the way your swimming pool cover works, they should be avoided for the sake of appearance.

**Please see separate information sheet for transparent shutters !**

• Overwintering of outdoor pools

If you put your outdoor pool out of operation in winter, you should roll up the shutter and cover it with a tarpaulin to protect it against wind and dirt.  
 To avoid unintended actuation of the shutter during this time you can disconnect the power supply by removing the micro-fuse at the transformer.

• Bench covering made of wood (Type Quadro)

The MKT bench covering is made from mahogany strips.  
 The wood is pre-treated with an open-pored scumble glaze.  
 To prevent greying it is recommended to refresh the wood periodically with a commercial scumble.

 **Attention !**

Without sufficient protection wood contents may cause a permanent stain of shutter and pool border !

• Bench covering made of PVC (Type Quadro)

The MKT bench covering is made from thick-wall oval PVC tubes.  
 You can clean it with any commercial quality plastic cleaner.

• Shutter covering (Type Rondo)

 **Attention ! The shutter covering cannot be used to sit on !**

The shutter covering is made from the same material as the pool cover itself.  
 Accordingly the notes for the maintenance hold true for the covering.

To get to the winding shaft and the motor you can remove the covering by loosening the screws at the back of the framework and pulling down the shutter covering out of the guide grooves embedded in the side parts.